

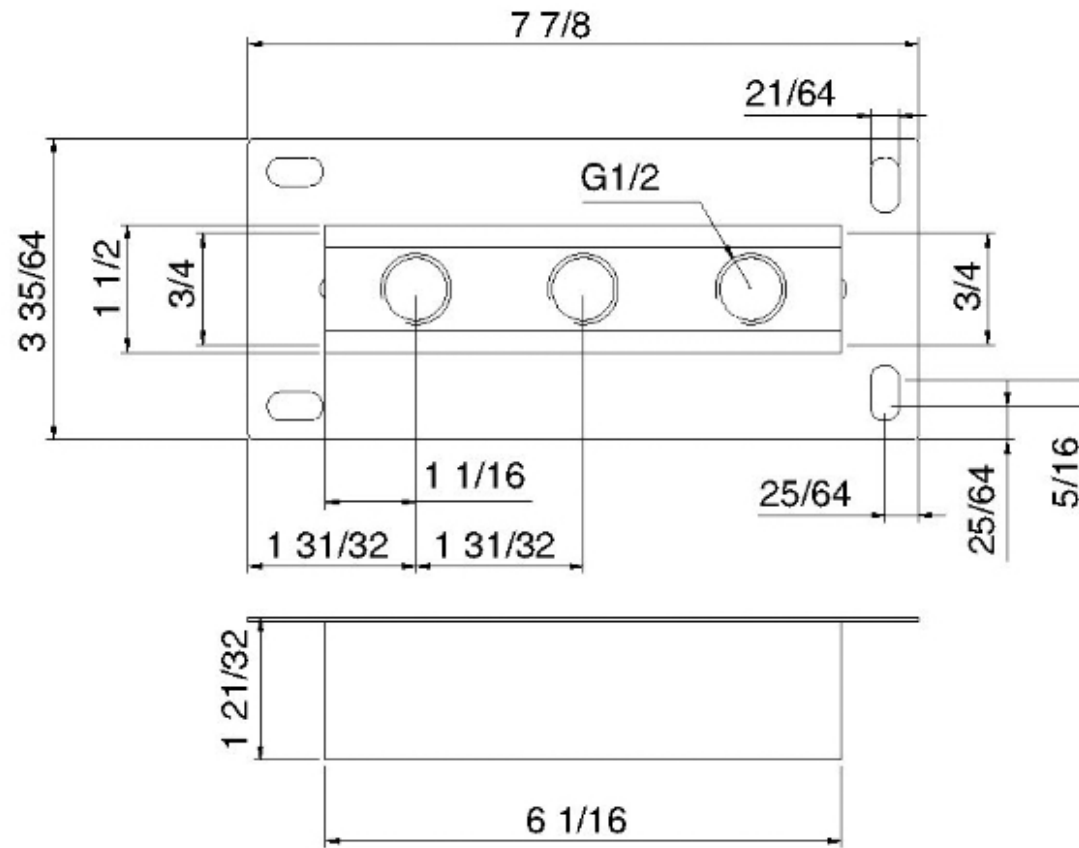
5147__08

Manifold for tubular rain head (max 3 elements)

FINISHES:



FROSTED INOX



RUBINETTERIE
tremme
instruments for water