

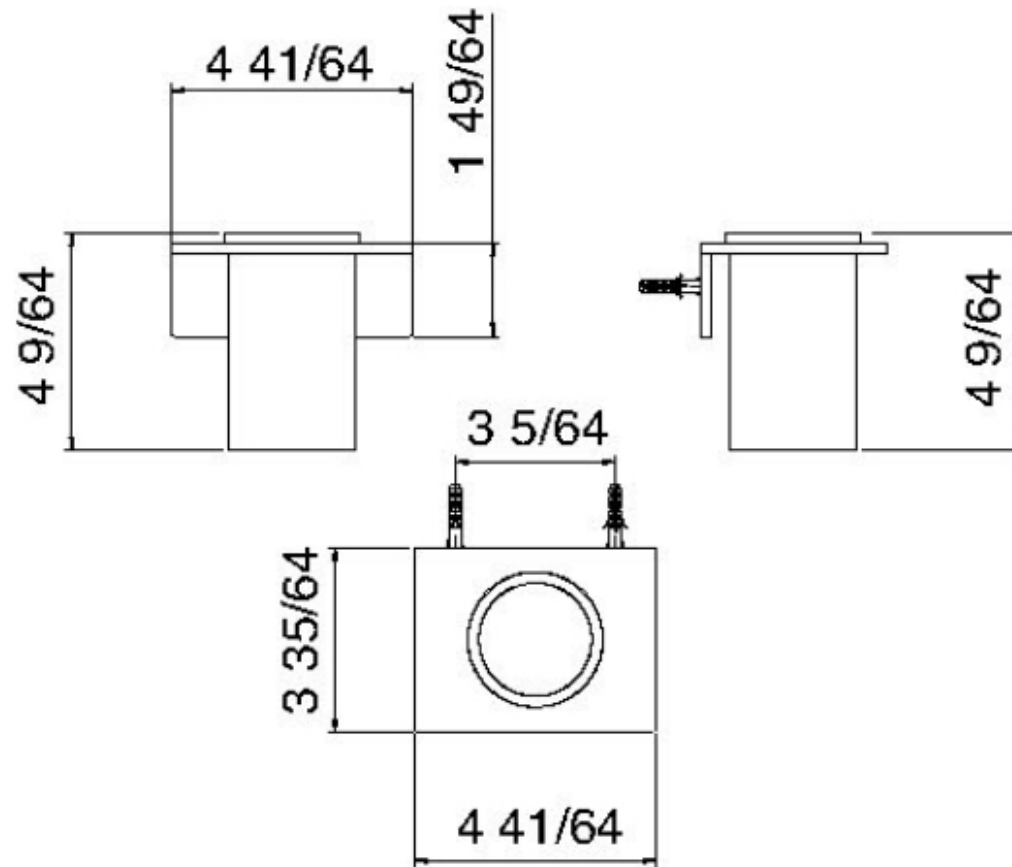
# 9004

Portabicchiere

FINITURE:



INOX SATINATO



**tree**<sup>RUBINETTERIE</sup>**emme**  
*instruments for water*