

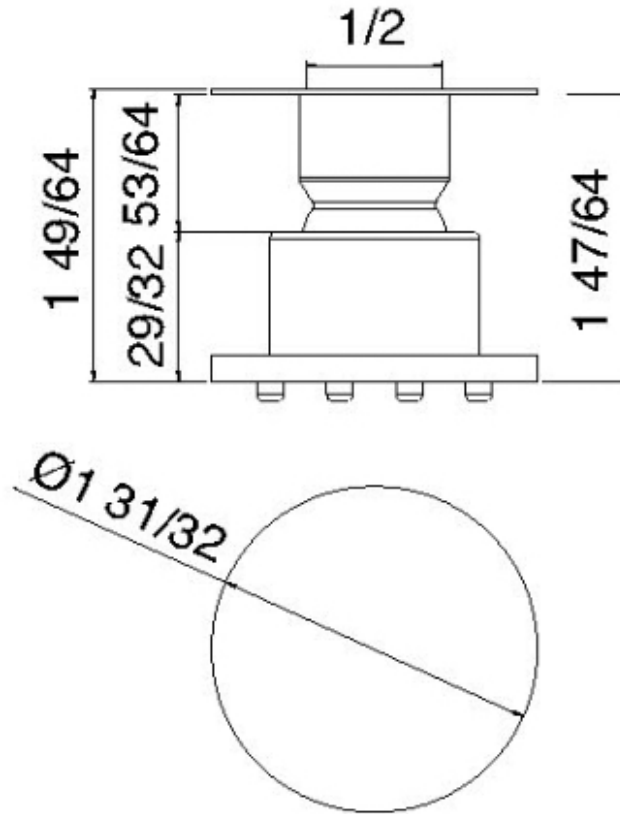
RTBR320

Soffione laterale

FINITURE:



INOX SATINATO



tree^{RUBINETTERIE}**mme**
instruments for water